

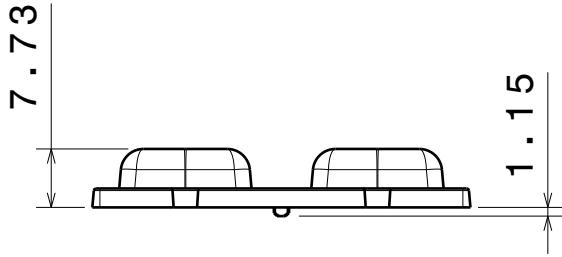
D

C

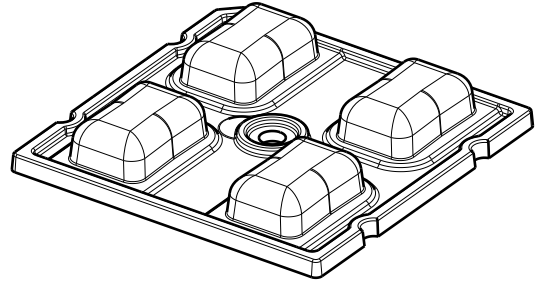
B

A

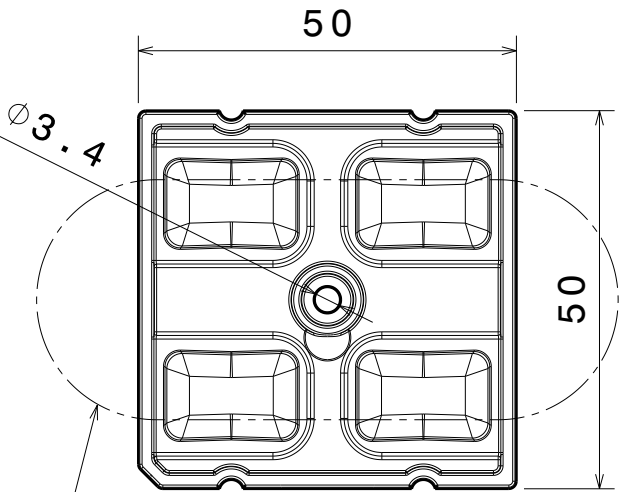
DATE
28.09.2022



Right View

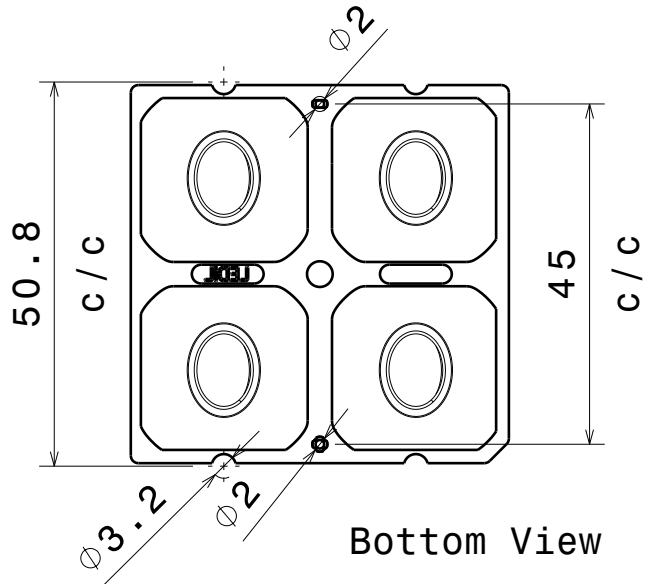


Isometric View



Top View

Beam direction



Bottom View

PART	TYPE	MATERIAL	COLOR / COATING
C16702_STRADA-2X2-CAT-B-PC	LENS	PC	Clear

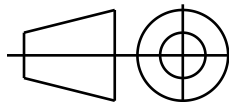
MECHANICAL DRAWING

PRODUCT
STRADA

LEDiL

Plastic moulding general tolerances according to DIN 16901-130 and applies if not otherwise shown in the drawing.
 Silicone moulding general tolerances according to ISO 3302-1 Class M3 and applies if not otherwise shown in the drawing.

FIRST ANGLE PROJECTION:



This drawing is the property of LEDiL Oy. It may not be copied or otherwise distributed without prior written permission from LEDiL Oy.

SCALE 1:1

WEIGHT 20,91g

A4 SHEET 1/1

D

A